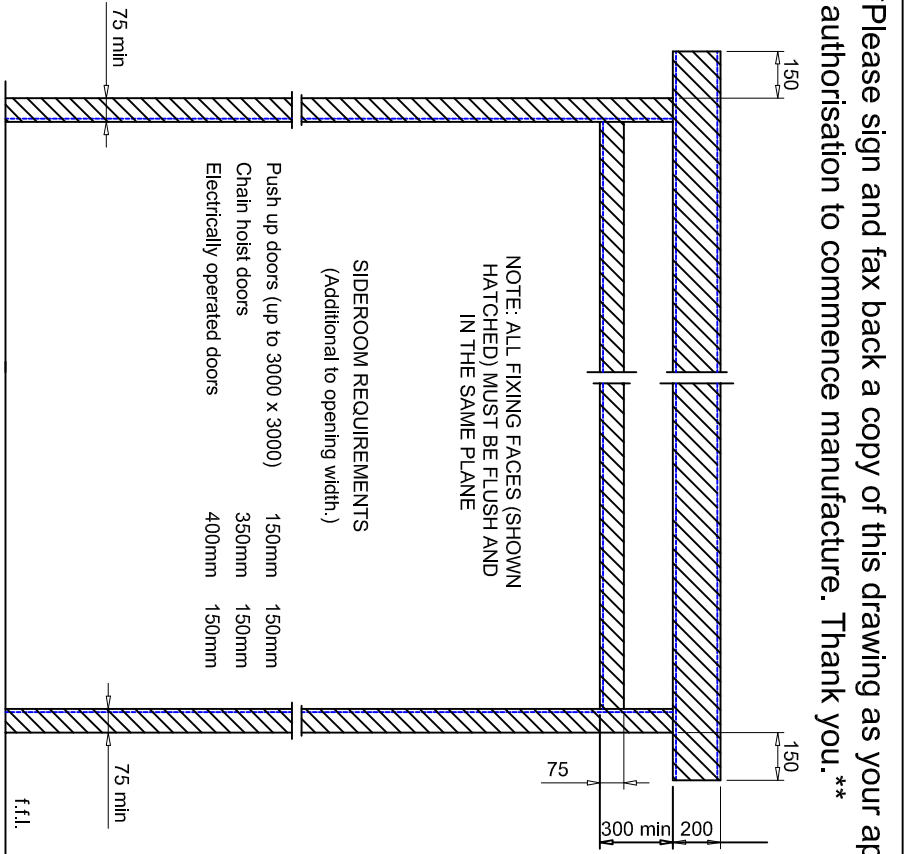


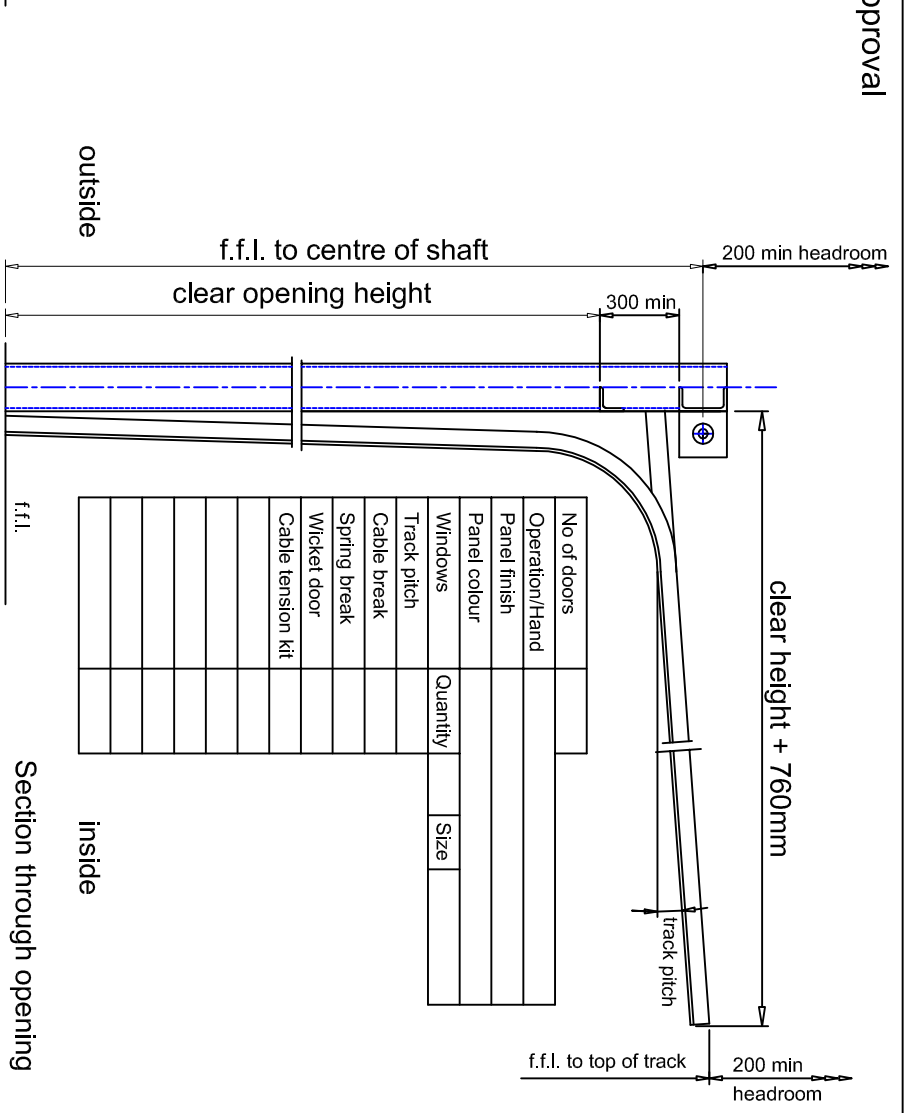
****Please sign and fax back a copy of this drawing as your approval & authorisation to commence manufacture. Thank you.****



NOTE: ALL FIXING FACES (SHOWN HATCHED) MUST BE FLUSH AND IN THE SAME PLANE

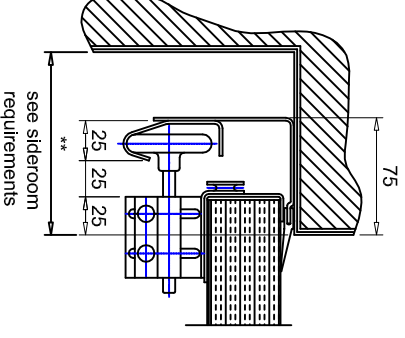
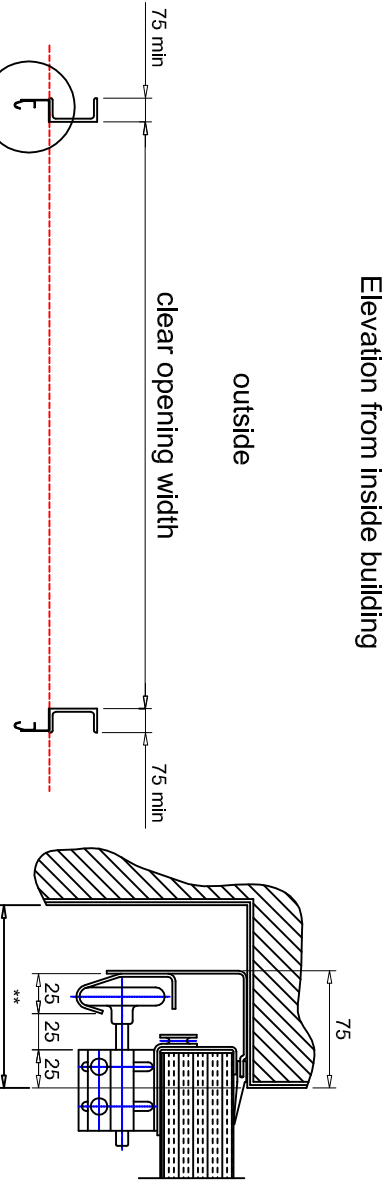
SIDEROOM REQUIREMENTS
(Additional to opening width.)

- Push up doors (up to 3000 x 3000) 150mm 150mm
- Chain hoist doors 350mm 150mm
- Electrically operated doors 400mm 150mm



No of doors	Quantity	Size

Section through opening



STANDARD LIFT TRACK - STEELWORK REQUIREMENT FOR 2" HARDWARE

Client	Revisions	Date
		Drawing No.
Site		